



# MAXIM

## Quad LVDS Line Driver

MAX9124

### General Description

The MAX9124 quad low-voltage differential signaling (LVDS) line driver is ideal for applications requiring high data rates, low power, and low noise. The MAX9124 is guaranteed to transmit data at speeds up to 800Mbps (400MHz) over controlled impedance media of approximately 100Ω. The transmission media may be printed circuit (PC) board traces, backplanes, or cables.

The MAX9124 accepts four LVTTTL/LVCMOS input levels and translates them to LVDS output signals. Moreover, the MAX9124 is capable of setting all four outputs to a high-impedance state through two enable inputs, EN and  $\overline{\text{EN}}$ , thus dropping the device to an ultra-low-power state of 16mW (typ) during high impedance. The enables are common to all four transmitters. Outputs conform to the ANSI TIA/EIA-644 LVDS standard.

The MAX9124 operates from a single +3.3V supply and is specified for operation from -40°C to +85°C. It is available in 16-pin TSSOP and SO packages. Refer to the MAX9125/ MAX9126 data sheet for quad LVDS line receivers.

### Features

- ◆ Pin Compatible with DS90LV031A
- ◆ Guaranteed 800Mbps Data Rate
- ◆ 250ps Maximum Pulse Skew
- ◆ Conforms to TIA/EIA-644 LVDS Standard
- ◆ Single +3.3V Supply
- ◆ 16-Pin TSSOP and SO Packages

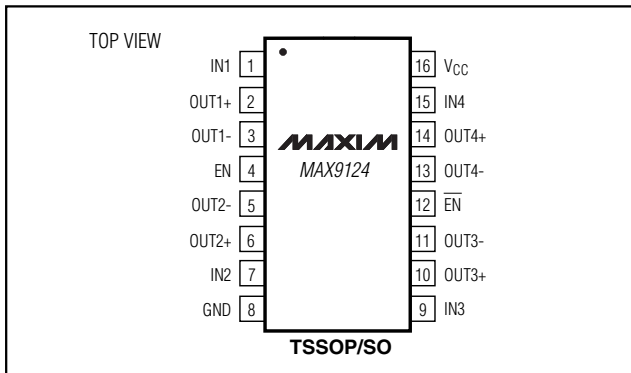
### Ordering Information

PART	TEMP. RANGE	PIN-PACKAGE
MAX9124EUE	-40°C to +85°C	16 TSSOP
MAX9124ESE	-40°C to +85°C	16 SO

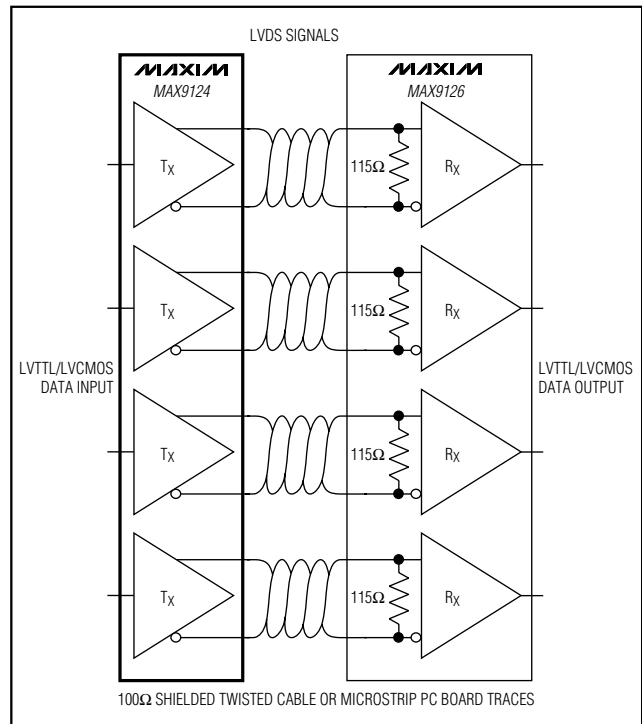
### Applications

- |                          |                          |
|--------------------------|--------------------------|
| Digital Copiers          | DSLAMs                   |
| Laser Printers           | Network Switches/Routers |
| Cell Phone Base Stations | Backplane Interconnect   |
| Add/Drop Muxes           | Clock Distribution       |
| Digital Cross-Connects   |                          |

### Pin Configuration



### Typical Applications Circuit



\* Future product—contact factory for availability.

# Quad LVDS Line Driver

## ABSOLUTE MAXIMUM RATINGS

V<sub>CC</sub> to GND .....-0.3V to +4.0V  
 IN<sub>-</sub>, EN,  $\overline{\text{EN}}$  to GND.....-0.3V to (V<sub>CC</sub> + 0.3V)  
 OUT<sub>+</sub>, OUT<sub>-</sub> to GND.....-0.3V to +3.9V  
 Short-Circuit Duration (OUT<sub>+</sub>, OUT<sub>-</sub>) .....Continuous  
 Continuous Power Dissipation (T<sub>A</sub> = +70°C)  
 16-Pin TSSOP (derate 9.4mW/°C above +70°C) .....755mW  
 16-Pin SO (derate 8.7mW/°C above +70°C).....696mW

Storage Temperature Range .....-65°C to +150°C  
 Maximum Junction Temperature .....+150°C  
 Operating Temperature Range .....-40°C to +85°C  
 Lead Temperature (soldering, 10s) .....+300°C  
 ESD Protection  
 Human Body Model, OUT<sub>+</sub>, OUT<sub>-</sub> .....±6kV

Stresses beyond those listed under "Absolute Maximum Ratings" may cause permanent damage to the device. These are stress ratings only, and functional operation of the device at these or any other conditions beyond those indicated in the operational sections of the specifications is not implied. Exposure to absolute maximum rating conditions for extended periods may affect device reliability.

## DC ELECTRICAL CHARACTERISTICS

(V<sub>CC</sub> = +3.0V to +3.6V, R<sub>L</sub> = 100Ω ±1%, T<sub>A</sub> = -40°C to +85°C. Typical values are at V<sub>CC</sub> = +3.3V, T<sub>A</sub> = +25°C, unless otherwise noted.) (Notes 1, 2)

PARAMETER	SYMBOL	CONDITIONS	MIN	TYP	MAX	UNITS
<b>LVDS OUTPUT (OUT<sub>+</sub>, OUT<sub>-</sub>)</b>						
Differential Output Voltage	V <sub>OD</sub>	Figure 1	250	368	450	mV
Change in Magnitude of V <sub>OD</sub> Between Complementary Output States	ΔV <sub>OD</sub>	Figure 1		1	25	mV
Offset Voltage	V <sub>OS</sub>	Figure 1	1.125	1.25	1.375	V
Change in Magnitude of V <sub>OS</sub> Between Complementary Output States	ΔV <sub>OS</sub>	Figure 1		4	25	mV
Output High Voltage	V <sub>OH</sub>				1.6	V
Output Low Voltage	V <sub>OL</sub>		0.90			V
Differential Output Short-Circuit Current (Note 3)	I <sub>OSD</sub>	Enabled, V <sub>OD</sub> = 0			-9	mA
Output Short-Circuit Current	I <sub>OS</sub>	OUT <sub>+</sub> = 0 at IN <sub>-</sub> = V <sub>CC</sub> or OUT <sub>-</sub> = 0 at IN <sub>-</sub> = 0, enabled		-3.8	-9	mA
Output High-Impedance Current	I <sub>OZ</sub>	EN = low and $\overline{\text{EN}}$ = high, OUT <sub>+</sub> = 0 or V <sub>CC</sub> , OUT <sub>-</sub> = 0 or V <sub>CC</sub> , R <sub>L</sub> = ∞	-10		10	μA
Power-Off Output Current	I <sub>OFF</sub>	V <sub>CC</sub> = 0 or open, OUT <sub>+</sub> = 0 or 3.6V, OUT <sub>-</sub> = 0 or 3.6V, R <sub>L</sub> = ∞	-10		10	μA
<b>INPUTS (IN<sub>-</sub>, EN, <math>\overline{\text{EN}}</math>)</b>						
High-Level Input Voltage	V <sub>IH</sub>		2.0		V <sub>CC</sub>	V
Low-Level Input Voltage	V <sub>IL</sub>		GND		0.8	V
Input Current	I <sub>IN</sub>	IN <sub>-</sub> , EN, $\overline{\text{EN}}$ = 0 or V <sub>CC</sub>	-20		20	μA
<b>SUPPLY CURRENT</b>						
No-Load Supply Current	I <sub>CC</sub>	R <sub>L</sub> = ∞, IN <sub>-</sub> = V <sub>CC</sub> or 0 for all channels		9.2	11	mA
Loaded Supply Current	I <sub>CCL</sub>	R <sub>L</sub> = 100Ω, IN <sub>-</sub> = V <sub>CC</sub> or 0 for all channels		22.7	30	mA
Disabled Supply Current	I <sub>CCZ</sub>	Disabled, IN <sub>-</sub> = V <sub>CC</sub> or 0 for all channels, EN = 0, $\overline{\text{EN}}$ = V <sub>CC</sub>		4.9	6	mA

# Quad LVDS Line Driver

MAX9124

## SWITCHING CHARACTERISTICS

( $V_{CC} = +3.0V$  to  $+3.6V$ ,  $R_L = 100\Omega \pm 1\%$ ,  $C_L = 10pF$ ,  $T_A = -40^\circ C$  to  $+85^\circ C$ . Typical values are at  $V_{CC} = +3.3V$ ,  $T_A = +25^\circ C$ , unless otherwise noted.) (Notes 4, 5, 6)

PARAMETER	SYMBOL	CONDITIONS	MIN	TYP	MAX	UNITS
Differential Propagation Delay High to Low	tPHLD	Figures 2 and 3	0.8	1.42	2.0	ns
Differential Propagation Delay Low to High	tPLHD	Figures 2 and 3	0.8	1.44	2.0	ns
Differential Pulse Skew (Note 7)	tSKD1	Figures 2 and 3		0.02	0.25	ns
Differential Channel-to-Channel Skew (Note 8)	tSKD2	Figures 2 and 3			0.35	ns
Differential Part-to-Part Skew (Note 9)	tSKD3	Figures 2 and 3			0.8	ns
Differential Part-to-Part Skew (Note 10)	tSKD4	Figures 2 and 3			1.2	ns
Rise Time	tTLH	Figures 2 and 3	0.1	0.35	0.7	ns
Fall Time	tTHL	Figures 2 and 3	0.1	0.35	0.7	ns
Disable Time High to Z	tPHZ	Figures 4 and 5			5	ns
Disable Time Low to Z	tPLZ	Figures 4 and 5			5	ns
Enable Time Z to High	tPZH	Figures 4 and 5			5	ns
Enable Time Z to Low	tPZL	Figures 4 and 5			5	ns
Maximum Operating Frequency (Note 11)	fMAX		400			MHz

**Note 1:** Maximum and minimum limits over temperature are guaranteed by design and characterization. Devices are 100% tested at  $T_A = +25^\circ C$ .

**Note 2:** Currents into the device are positive, and current out of the device is negative. All voltages are referenced to ground except  $V_{OD}$ .

**Note 3:** Guaranteed by correlation data.

**Note 4:** AC parameters are guaranteed by design and characterization.

**Note 5:**  $C_L$  includes probe and jig capacitance.

**Note 6:** Signal generator conditions for dynamic tests:  $V_{OL} = 0$ ,  $V_{OH} = 3V$ ,  $f = 100MHz$ , 50% duty cycle,  $R_O = 50\Omega$ ,  $t_R \leq 1ns$ ,  $t_F \leq 1ns$  (0% to 100%).

**Note 7:** tSKD1 is the magnitude difference of differential propagation delay.  $t_{SKD1} = |t_{PHLD} - t_{PLHD}|$ .

**Note 8:** tSKD2 is the magnitude difference of tPHLD or tPLHD of one channel to the tPHLD or tPLHD of another channel on the same device.

**Note 9:** tSKD3 is the magnitude difference of any differential propagation delays between devices at the same  $V_{CC}$  and within  $5^\circ C$  of each other.

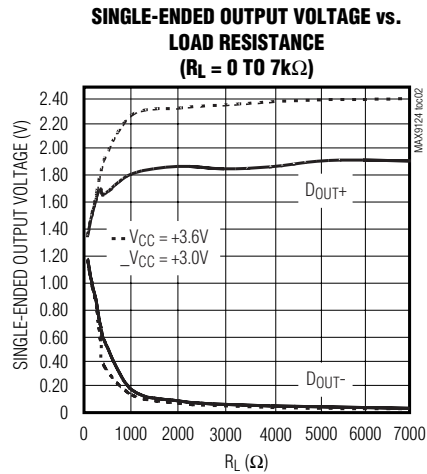
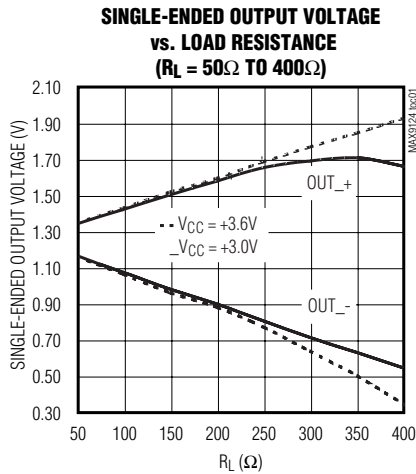
**Note 10:** tSKD4 is the magnitude difference of any differential propagation delays between devices operating over the rated supply and temperature ranges.

**Note 11:** fMAX signal generator conditions:  $V_{OL} = 0$ ,  $V_{OH} = 3V$ ,  $f = 400MHz$ , 50% duty cycle,  $R_O = 50\Omega$ ,  $t_R \leq 1ns$ ,  $t_F \leq 1ns$  (0% to 100%). Transmitter output criteria: duty cycle = 45% to 55%,  $V_{OD} \geq 250mV$ .

# Quad LVDS Line Driver

## Typical Operating Characteristics

(T<sub>A</sub> = +25°C)



## Pin Description

PIN	NAME	FUNCTION
1, 7, 9, 15	IN <sub>-</sub>	LVTTTL/LVCMOS Driver Inputs
2, 6, 10, 14	OUT <sub>+</sub>	Noninverting LVDS Driver Outputs
3, 5, 11, 13	OUT <sub>-</sub>	Inverting LVDS Driver Outputs
4, 12	EN, $\overline{\text{EN}}$	Driver Enable Inputs. The driver is disabled and in high impedance when EN is low and $\overline{\text{EN}}$ is high. For other combinations of EN and $\overline{\text{EN}}$ , the outputs are active.
8	GND	Ground
16	V <sub>CC</sub>	Power-Supply Input. Bypass V <sub>CC</sub> to GND with 0.1μF and 0.001μF ceramic capacitors.

# Quad LVDS Line Driver

MAX9124

## Detailed Description

The LVDS interface standard is a signaling method intended for point-to-point communication over a controlled-impedance medium as defined by the ANSI/TIA/EIA-644 and IEEE 1596.3 standards. The LVDS standard uses a lower voltage swing than other common communication standards, achieving higher data rates with reduced power consumption while reducing EMI emissions and system susceptibility to noise.

The MAX9124 is an 800Mbps quad differential LVDS driver that is designed for high-speed, point-to-point, and low-power applications. This device accepts LVTTTL/LVCMOS input levels and translates them to LVDS output signals.

The MAX9124 generates a 2.5mA to 4.0mA output current using a current-steering configuration. This current-steering approach induces less ground bounce and no shoot-through current, enhancing noise margin and system speed performance. The driver outputs are short-circuit current limited and enter a high-impedance state when the device is not powered or is disabled.

The current-steering architecture of the MAX9124 requires a resistive load to terminate the signal and complete the transmission loop. Because the device switches current and not voltage, the actual output voltage swing is determined by the value of the termination resistor at the input of an LVDS receiver. Logic states are determined by the direction of current flow through the termination resistor. With a typical 3.7mA output current, the MAX9124 produces an output voltage of 370mV when driving a 100Ω load.

### Termination

Because the MAX9124 is a current-steering device, no output voltage will be generated without a termination resistor. The termination resistors should match the differential impedance of the transmission line. Output voltage levels depend upon the value of the termination resistor. The MAX9124 is optimized for point-to-point interface with 100Ω termination resistors at the receiver inputs. Termination resistance values may range between 90Ω and 132Ω, depending on the characteristic impedance of the transmission medium.

## Applications Information

### Power-Supply Bypassing

Bypass  $V_{CC}$  with high-frequency, surface-mount ceramic 0.1μF and 0.001μF capacitors in parallel as

Table 1. Input/Output Function Table

ENABLES		INPUTS	OUTPUTS	
EN	$\overline{EN}$	IN <sub>-</sub>	OUT <sub>+</sub>	OUT <sub>-</sub>
L	H	X	Z	Z
All other combinations of ENABLE inputs		L	L	H
		H	H	L

close to the device as possible, with the smaller valued capacitor closest to  $V_{CC}$ .

### Differential Traces

Output trace characteristics affect the performance of the MAX9124. Use controlled-impedance traces to match trace impedance to the transmission medium. Eliminate reflections and ensure that noise couples as common mode by running the differential trace pairs close together. Reduce skew by matching the electrical length of the traces. Excessive skew can result in a degradation of magnetic field cancellation.

Maintain the distance between the differential traces to avoid discontinuities in differential impedance. Avoid 90° turns and minimize the number of vias to further prevent impedance discontinuities.

### Cables and Connectors

Transmission media should have a nominal differential impedance of 100Ω. To minimize impedance discontinuities, use cables and connectors that have matched differential impedance.

Avoid the use of unbalanced cables such as ribbon or simple coaxial cable. Balanced cables, such as twisted pair, offer superior signal quality and tend to generate less EMI due to canceling effects. Balanced cables tend to pick up noise as common mode, which is rejected by the LVDS receiver.

### Board Layout

For LVDS applications, a four-layer PC board that provides separate power, ground, LVDS signals, and input signals is recommended. Isolate the LVTTTL/LVCMOS and LVDS signals from each other to prevent coupling.

## Chip Information

TRANSISTOR COUNT: 2007

PROCESS: CMOS

# Quad LVDS Line Driver

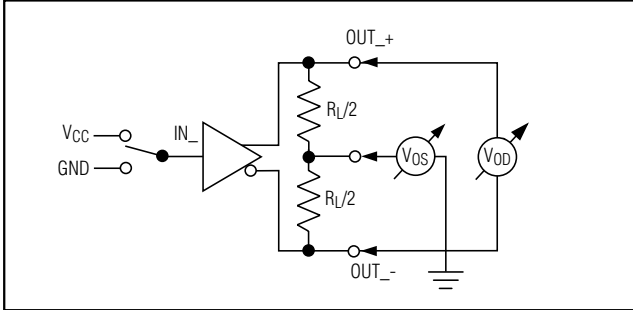


Figure 1. Driver  $V_{OD}$  and  $V_{OS}$  Test Circuit

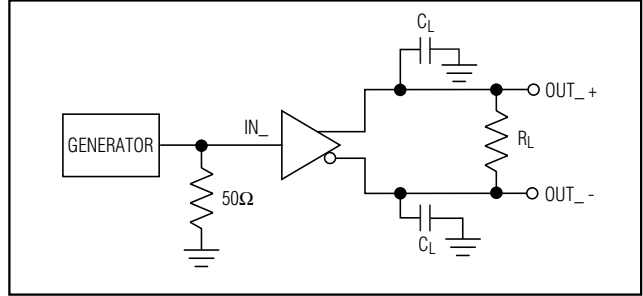


Figure 2. Driver Propagation Delay and Transition Time Test Circuit

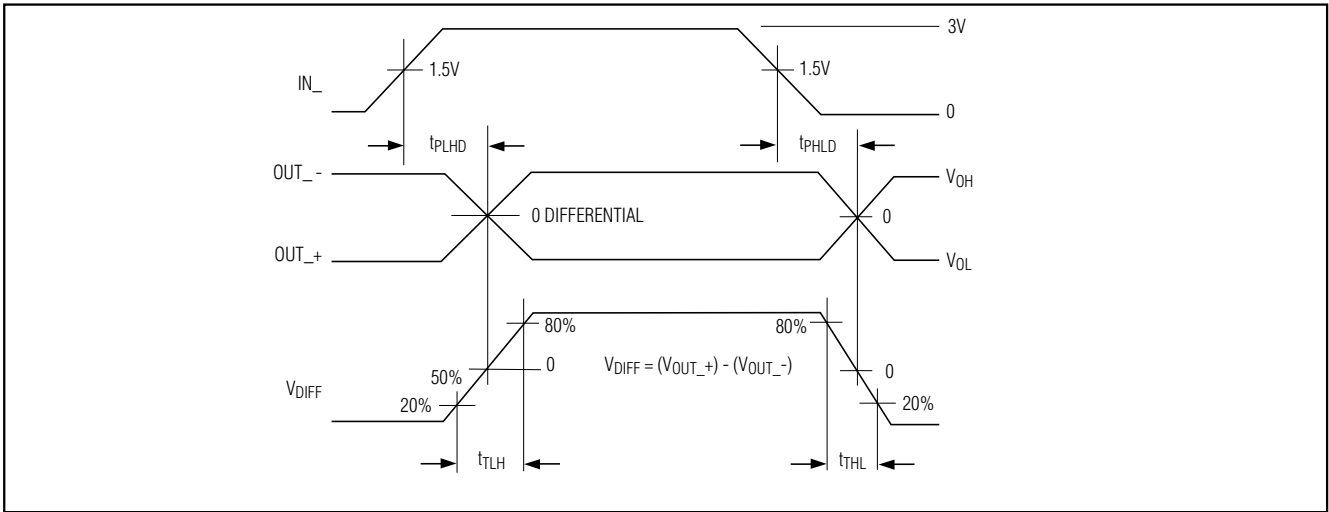


Figure 3. Driver Propagation Delay and Transition Time Waveforms

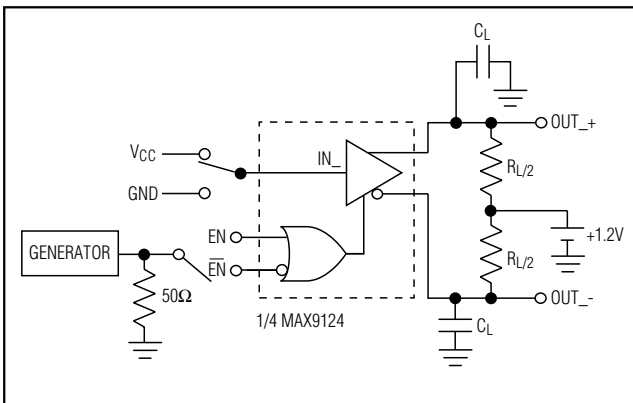


Figure 4. Driver High-Impedance Delay Test Circuit

# Quad LVDS Line Driver

**MAX9124**

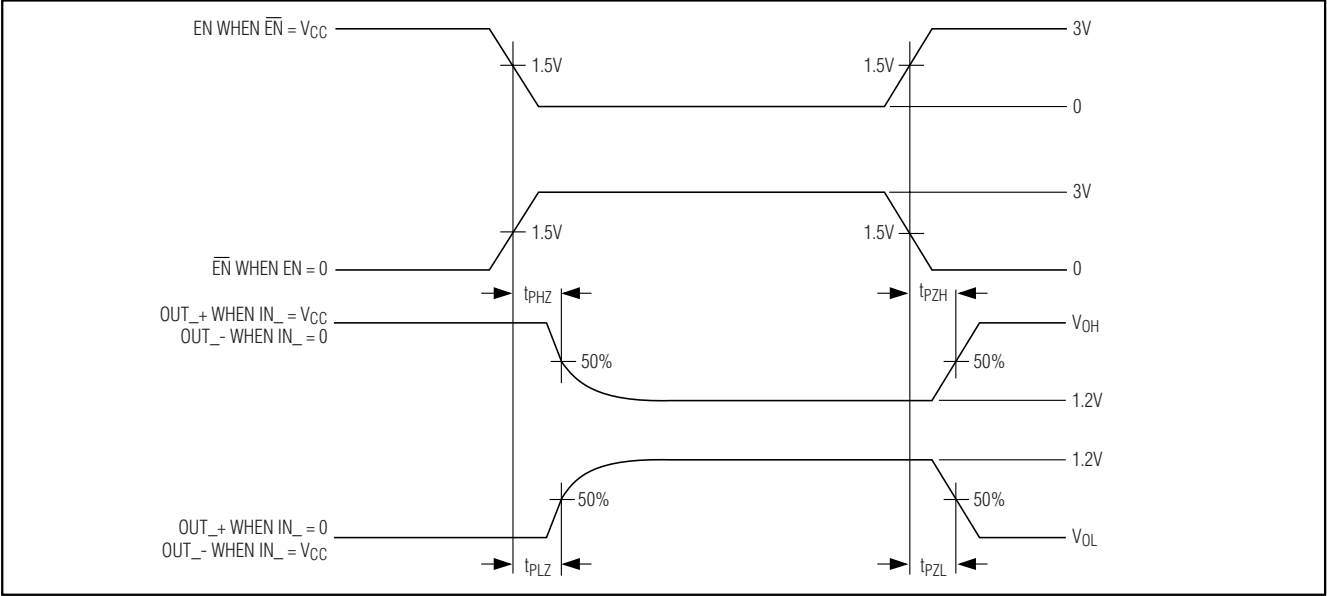
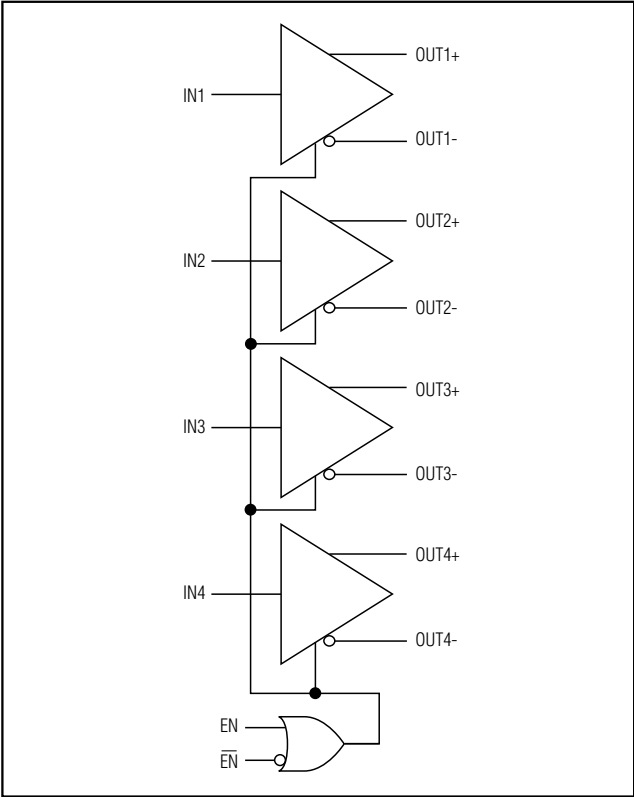


Figure 5. Driver High-Impedance Delay Waveform

## Functional Diagram



# Quad LVDS Line Driver

## Package Information

**COMMON DIMENSIONS**

Symbol	MILLIMETERS		INCHES	
	MIN.	MAX.	MIN.	MAX.
A	—	1.10	—	.043
A <sub>1</sub>	0.05	0.15	.002	.006
A <sub>2</sub>	0.85	0.95	.033	.037
b	0.19	0.30	.007	.012
b <sub>1</sub>	0.19	0.25	.007	.010
c	0.090	0.20	.0035	.008
c <sub>1</sub>	0.090	0.135	.0035	.0053
D	SEE VARIATIONS		SEE VARIATIONS	
E	4.30	4.50	.169	.177
e	0.65 BSC		.026 BSC	
H	6.25	6.50	.246	.256
L	0.50	0.70	.020	.028
N	SEE VARIATIONS		SEE VARIATIONS	
α	0°	8°	0°	8°

JEDEC	N	VARIATIONS				
		MILLIMETERS		INCHES		
MD-153		MIN.	MAX.	MIN.	MAX.	
AB	14	D	4.90	5.10	.193	.201
AC	16	D	4.90	5.10	.193	.201
AD	20	D	6.40	6.60	.252	.260
AE	24	D	7.70	7.90	.303	.311
AF	28	D	9.60	9.80	.378	.386

**NOTES:**

- DIMENSIONS D AND E DO NOT INCLUDE FLASH
- MOLD FLASH OR PROTRUSIONS NOT TO EXCEED 0.15mm PER SIDE
- CONTROLLING DIMENSION: MILLIMETER
- MEETS JEDEC OUTLINE MD-153 VARIATIONS- AB, AC, AD, AE, AF
- 'N' REFERS TO NUMBER OF LEADS
- THE LEAD TIPS MUST LIE WITHIN A SPECIFIED ZONE. THIS TOLERANCE ZONE IS DEFINED BY TWO PARALLEL PLANES. ONE PLANE IS THE SEATING PLANE, DATUM [-C-]; THE OTHER PLANE IS AT THE SPECIFIED DISTANCE FROM [-C-] IN THE DIRECTION INDICATED.

**LEAD TIP DETAIL**

WITH PLATING  
BASE METAL

0.25 BSC PARTING LINE

SEATING PLANE

SEE DETAIL A

TSSOP, NO PADS, EPS

**MAXIM**

PROPRIETARY INFORMATION

TITLE: PACKAGE OUTLINE, TSSOP, 4.40 MM BODY

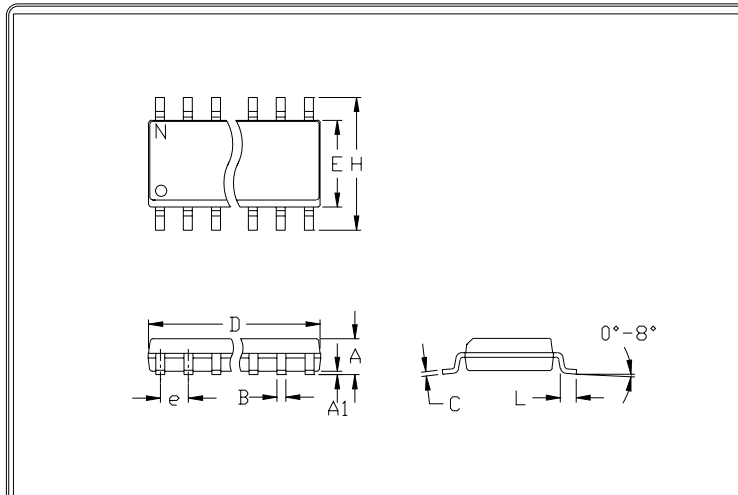
APPROVAL	DOCUMENT CONTROL NO. 21-0066	REV D 1/1
----------	---------------------------------	-----------



# Quad LVDS Line Driver

## Package Information (continued)

**MAX9124**



	INCHES		MILLIMETERS	
	MIN	MAX	MIN	MAX
A	0.053	0.069	1.35	1.75
A1	0.004	0.010	0.10	0.25
B	0.014	0.019	0.35	0.49
C	0.007	0.010	0.19	0.25
e	0.050		1.27	
E	0.150	0.157	3.80	4.00
H	0.228	0.244	5.80	6.20
h	0.010	0.020	0.25	0.50
L	0.016	0.050	0.40	1.27

	INCHES		MILLIMETERS		N	MS012
	MIN	MAX	MIN	MAX		
D	0.189	0.197	4.80	5.00	8	A
D	0.337	0.344	8.55	8.75	14	B
D	0.386	0.394	9.80	10.00	16	C

- NOTES:
1. D&E DO NOT INCLUDE MOLD FLASH
  2. MOLD FLASH OR PROTRUSIONS NOT TO EXCEED .15mm (.006")
  3. LEADS TO BE COPLANAR WITHIN .102mm (.004")
  4. CONTROLLING DIMENSION: MILLIMETER
  5. MEETS JEDEC MS012-XX AS SHOWN IN ABOVE TABLE
  6. N = NUMBER OF PINS



PACKAGE FAMILY OUTLINE: SOIC .150"

1/1

21-0041 A

Maxim cannot assume responsibility for use of any circuitry other than circuitry entirely embodied in a Maxim product. No circuit patent licenses are implied. Maxim reserves the right to change the circuitry and specifications without notice at any time.

**Maxim Integrated Products, 120 San Gabriel Drive, Sunnyvale, CA 94086 408-737-7600** \_\_\_\_\_ **9**