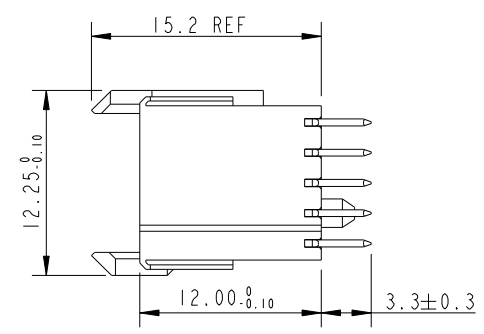
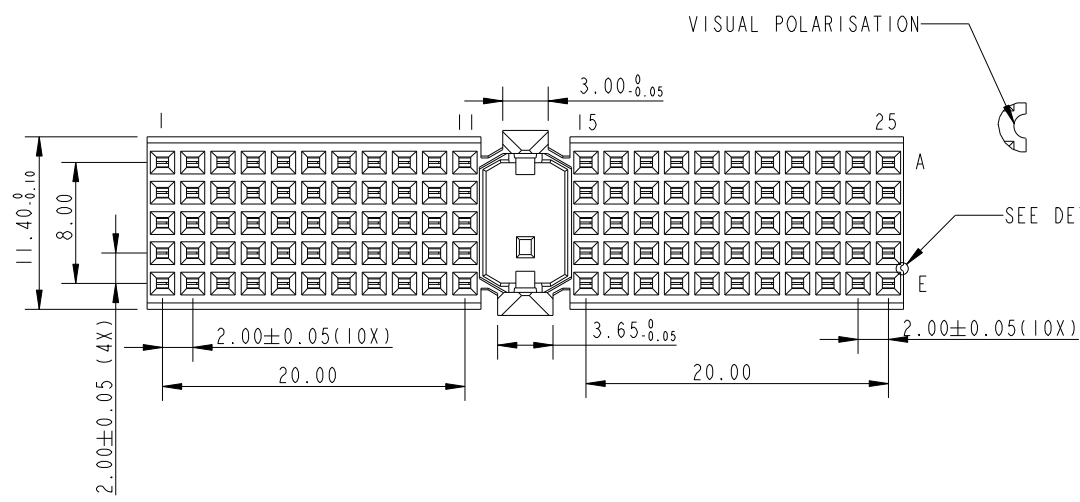


Tous droits strictement réservés. Reproduction ou communication à des tiers interdite sous quelque forme que ce soit sans autorisation écrite du propriétaire. Propriété de c FCI. Droits de reproduction FCI.

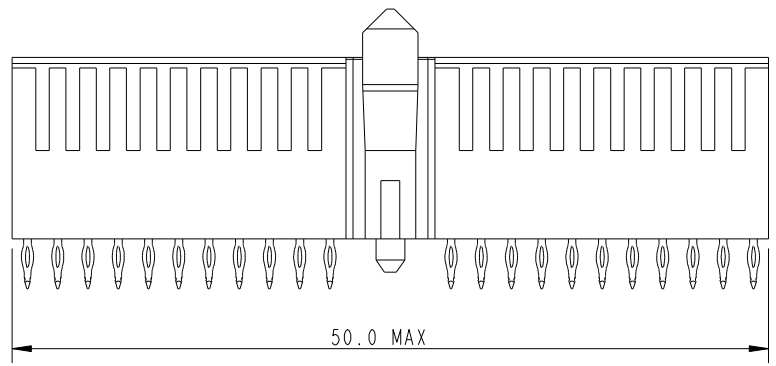
**FCI**

All rights strictly reserved. Reproduction or issue to third parties in any form whatever is not permitted without written authority from the proprietor. Property of FCI. Copyright FCI.

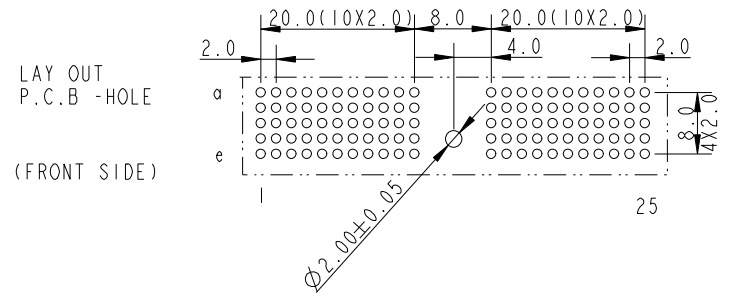


**PERFORMANCE CHARACTERISTICS**

- CURRENT RATING : 1.5A AT 20°C (FULLY LOADED)  
1 A AT 70°C (FULLY LOADED)
- RATED VOLTAGE : 500 V AC (CONT /CONT)
- OPERATING TEMPERATURE : -55°C TO 125°C
- CONTACT RESISTANCE 20 MΩ MAX
- INSERTION FORCE : 0.75N MAX/CONT
- EXTRACTION FORCE : 0.15N MIN/CONT
- INSULATION RESISTANCE : 10<sup>4</sup> MΩ MIN



- NOTES**
- LEAD FREE INDICATOR : LF=LEAD FREE
  - PERFORMANCE LEVEL INDICATION (REF DWG NO. BSC .201844.003)
  - THIS PRODUCT IS CSA APPROVED. THIS PRODUCT IS UL RECOGNIZED.
  - FOR RECOMMENDED PTH DIMENSIONS REFER DRAWING : BS.A.201572.001
  - THIS PRODUCT (LF) MEETS EUROPEAN UNION DIRECTIVES AND OTHER COUNTRY REGULATIONS AS DESCRIBED IN GS-22-008



rev	ecn no	dr	date
A	CONVERSION REVISION 00	KN	14-09-01
B	DG05-0278	Reason	02-08-05
-	-	-	-
-	-	-	-
-	-	-	-
-	-	-	-

Material		Spec ref	
Mat code		tolerance	projection
Heatreat		1DEC±0.2 1DEC 2DEC±0.1 2DEC ANGLE±1° HOEKEN	⊕ ⊞
Plating/Finish		size	Scale
Dr	W.Panis 27-01-95	A4	2.000
Eng		Product family	MILLIPACS
Chr		Model Name	
Appr		Model Revision	
		ECN	DG05-0278
		REL Level	
<b>FCI</b>	title	dwg no	Rev.
	MPACS 5R STR RCP SG PF ASSY TYPE A	BSC201907001	B
Pro/E file	catalog	sheet 1 of 1	