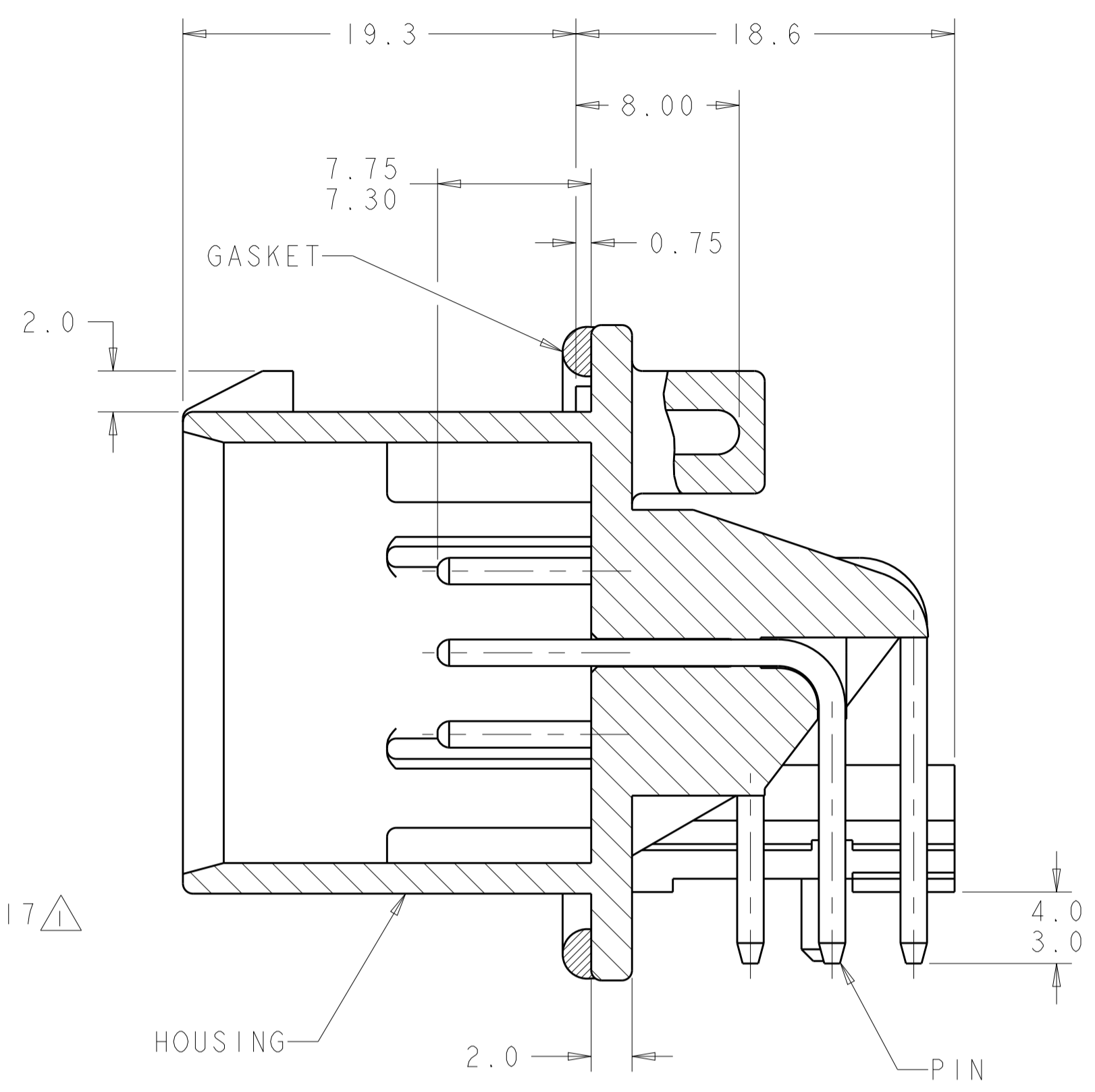
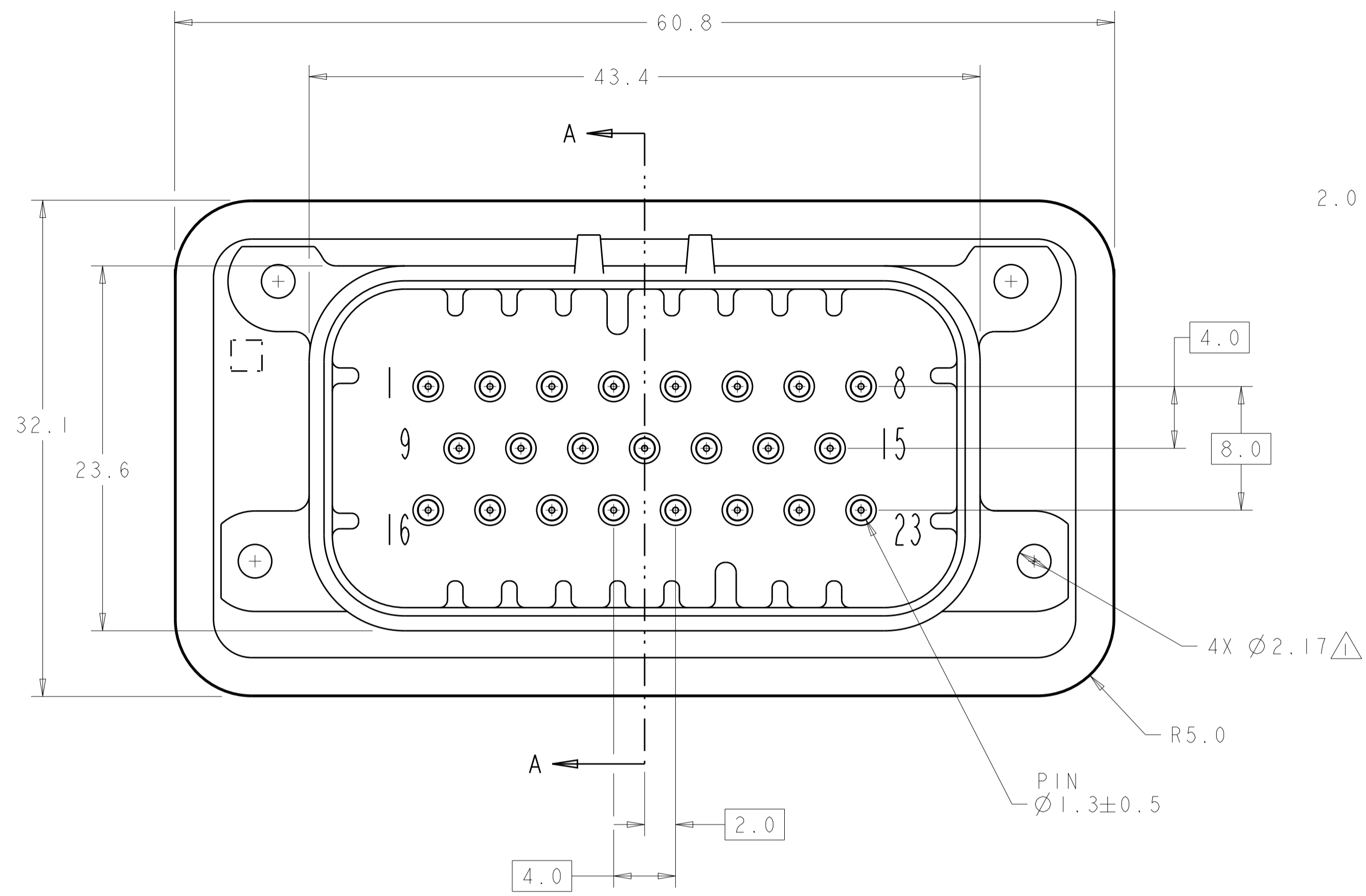
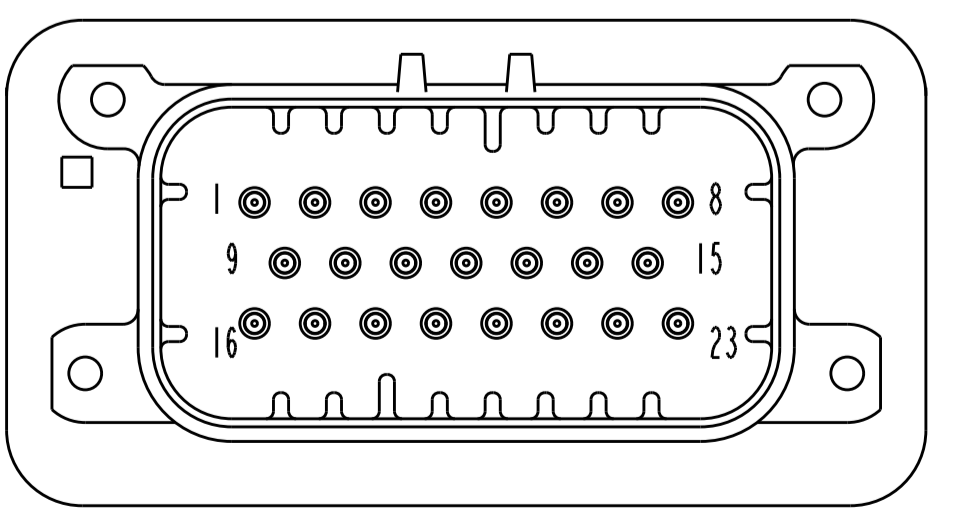
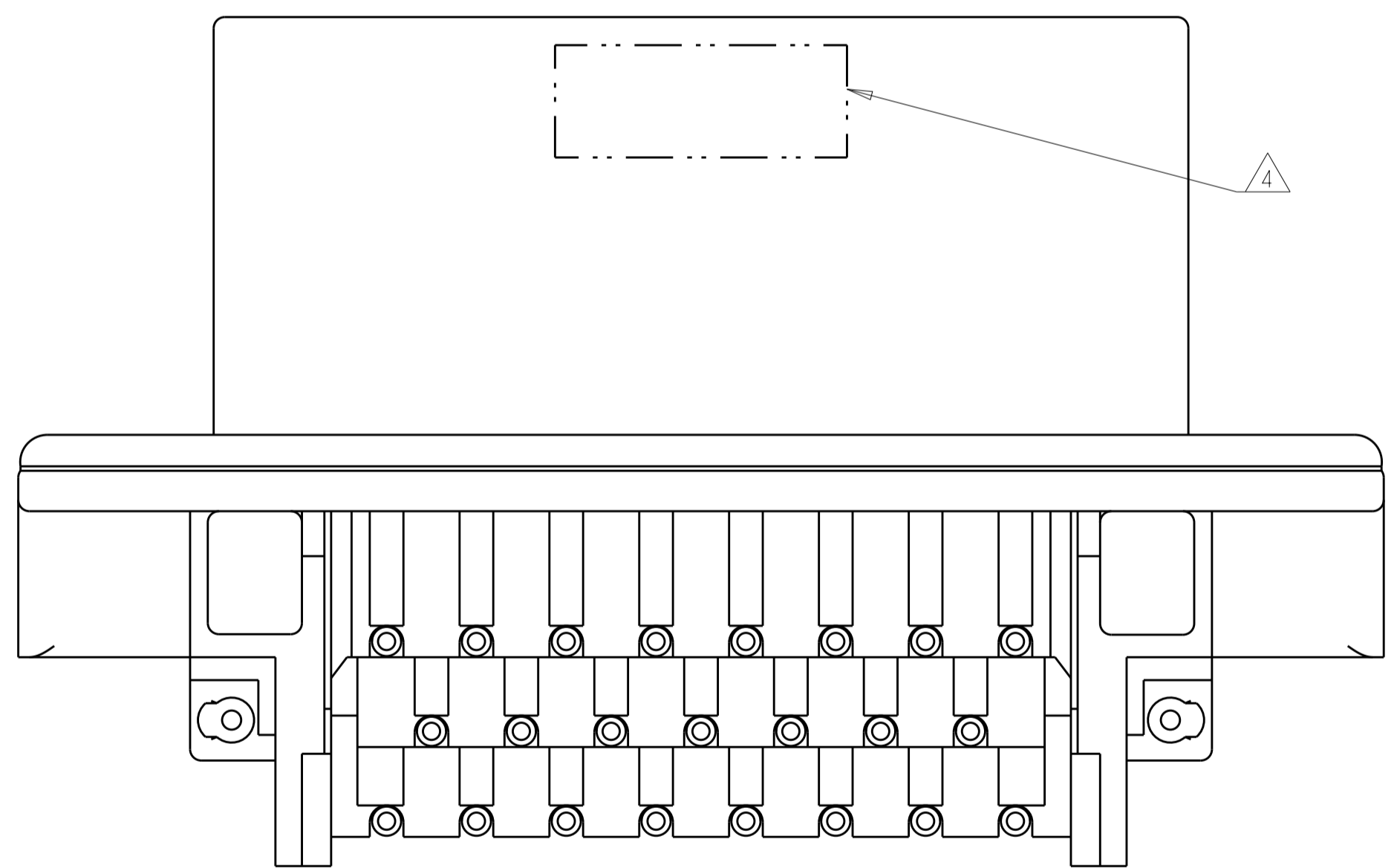


LOC	DIST	REV	DATE	BY	CHK	APPV
GE	00					
REVISIONS						
REV	DATE	DESCRIPTION	DATE	BY	CHK	APPV
E4	11MAR2011	REVISED PER ECO-11-005030				HMR
E5	29MAY2012	REVISED PER ECO-12-009257				DS
E6	05SEP2012	REVISED PER ECO-12-016002				DS
E7	14FEB2013	REVISED PER ECO-13-001836				DS

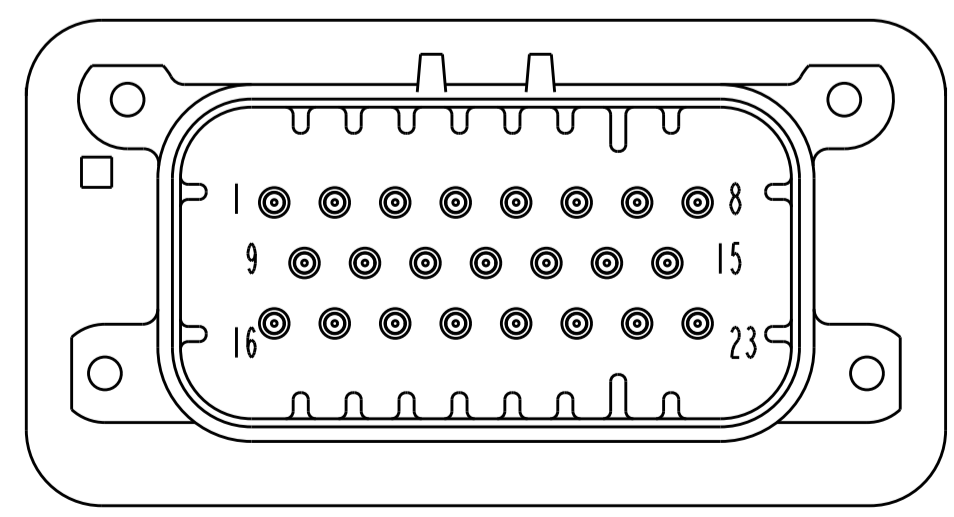


SECTION A-A

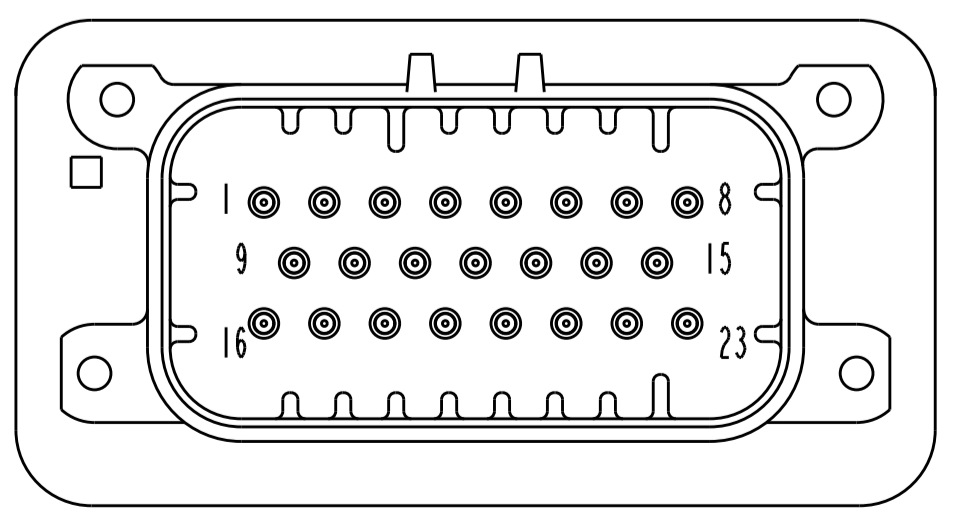
- 1 ACCEPTS #4 SELF TAPPING THREAD FORMING SCREWS OR METRIC EQUIVALENT. DRIVE TO 0.6±0.2 N-m MAX.
- 2 HOUSING COLORS ARE MECHANICALLY KEYS TO MATE ONLY WITH IDENTICALLY COLORED PLUG ASSEMBLIES.
- 3 MATERIALS: HEADER HOUSING - GLASS FIBERED PBT
PINS - TIN OR GOLD PLATED BRASS
GASKET - SILICONE
- 4 DATE CODE TO BE BRANDED IN THIS LOCATION PER TE SPEC 102-60
USE 5 DIGIT CODE: FIRST 2 DIGITS = YEAR, SECOND 2 DIGITS = WEEK
LAST DIGIT = DAY
- 5. HEADER MATES TO PLUG ASSEMBLY 770680 WHICH USES REELED TERMINAL 770520 AND LOOSE PIECE TERMINAL 770854



776087-2 & 1-776087-2
 KEY LOCATION AS SHOWN
 SCALE 2:1



776087-4 & 1-776087-4
 KEY LOCATION AS SHOWN
 SCALE 2:1



776087-5 & 1-776087-5
 KEY LOCATION AS SHOWN
 SCALE 2:1

776087-1 & 1-776087-1
 KEY LOCATION AS SHOWN

FINISH	COLOR	PART NUMBER
DURAGOLD	BLUE	1-776087-5
DURAGOLD	GRAY	1-776087-4
DURAGOLD	NATURAL (WHITE)	1-776087-2
DURAGOLD	BLACK	1-776087-1
TIN	BLUE	776087-5
TIN	GRAY	776087-4
TIN	NATURAL (WHITE)	776087-2
TIN	BLACK	776087-1

THIS DRAWING IS A CONTROLLED DOCUMENT.

OWN: R. VESTAL 31DEC2002
 CHK: D. CROWE 31DEC2002
 APVD: D. CROWE 31DEC2002

DIMENSIONS: mm
 TOLERANCES UNLESS OTHERWISE SPECIFIED:
 0 PLC ±
 1 PLC ±0.3
 2 PLC ±0.13
 3 PLC ±
 4 PLC ±
 ANGLES ±

PRODUCT SPEC: 108-1329
 APPLICATION SPEC: 114-16016

MATERIAL: FINISH:

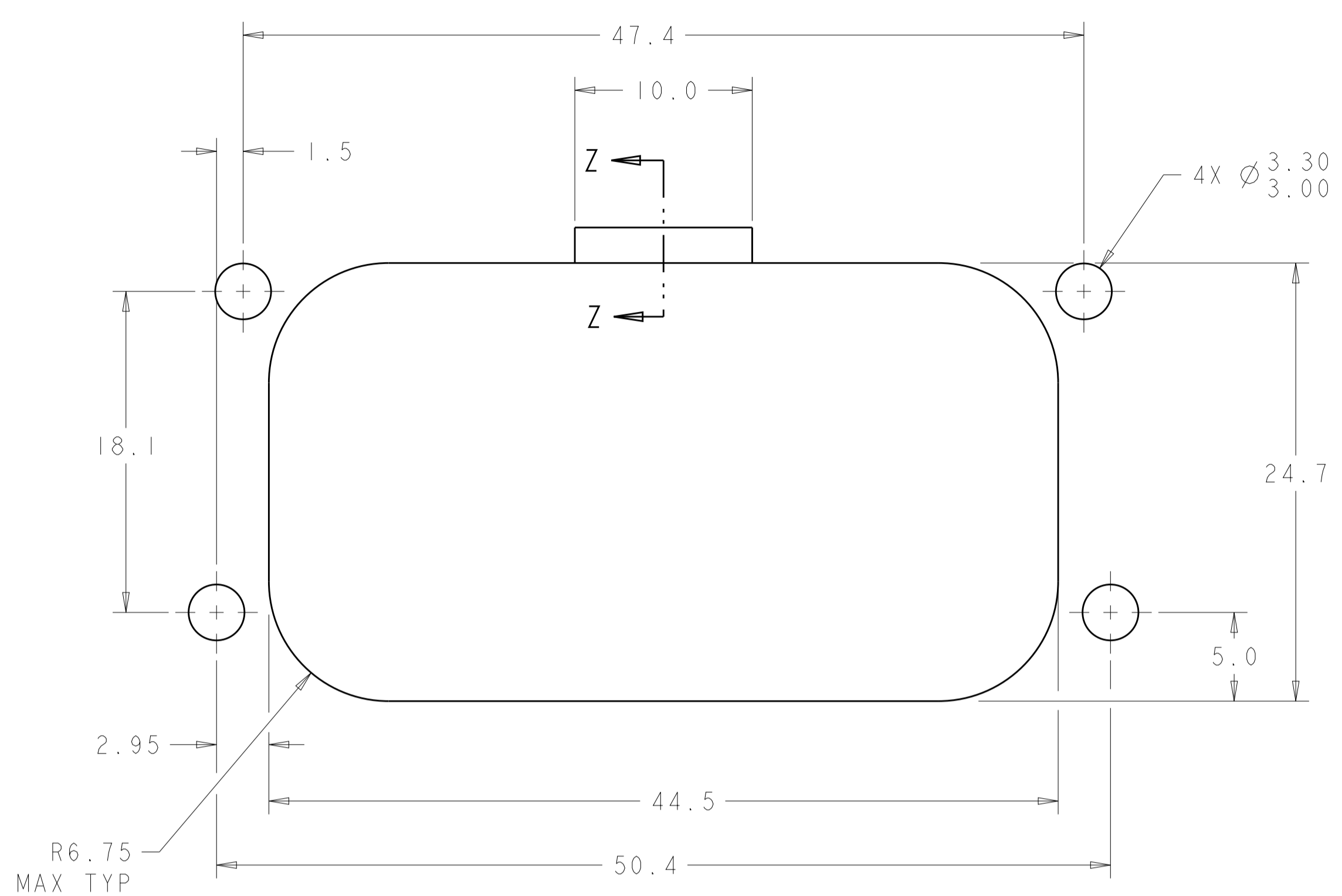
WEIGHT: -

Customer Drawing

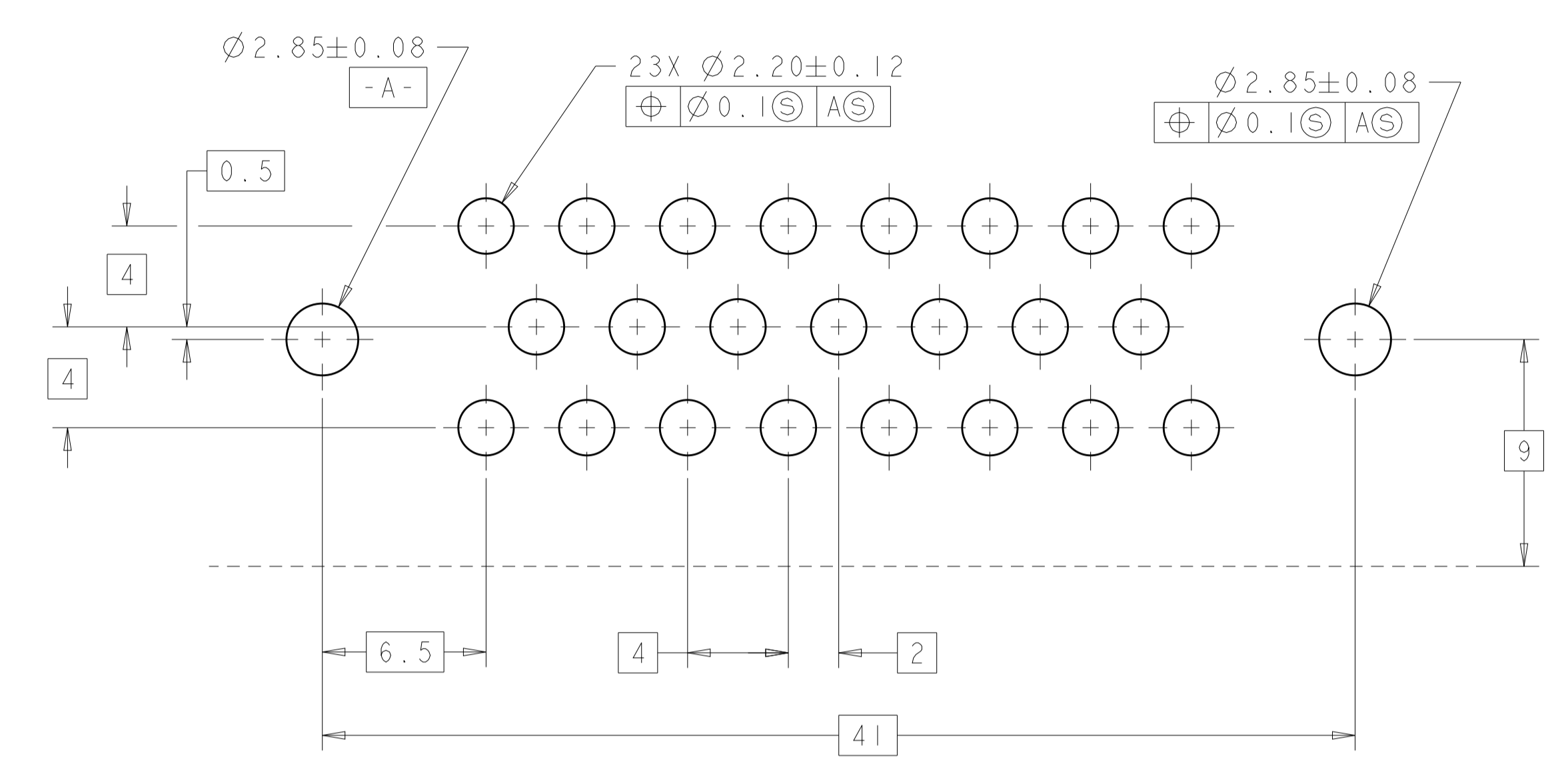
SCALE: 4:1 SHEET 1 OF 2 REV E7

TE Connectivity
 NAME: HEADER ASSEMBLY, 23 POSITION, RIGHT ANGLE, AMPSEAL
 SIZE: A100779 C=776087

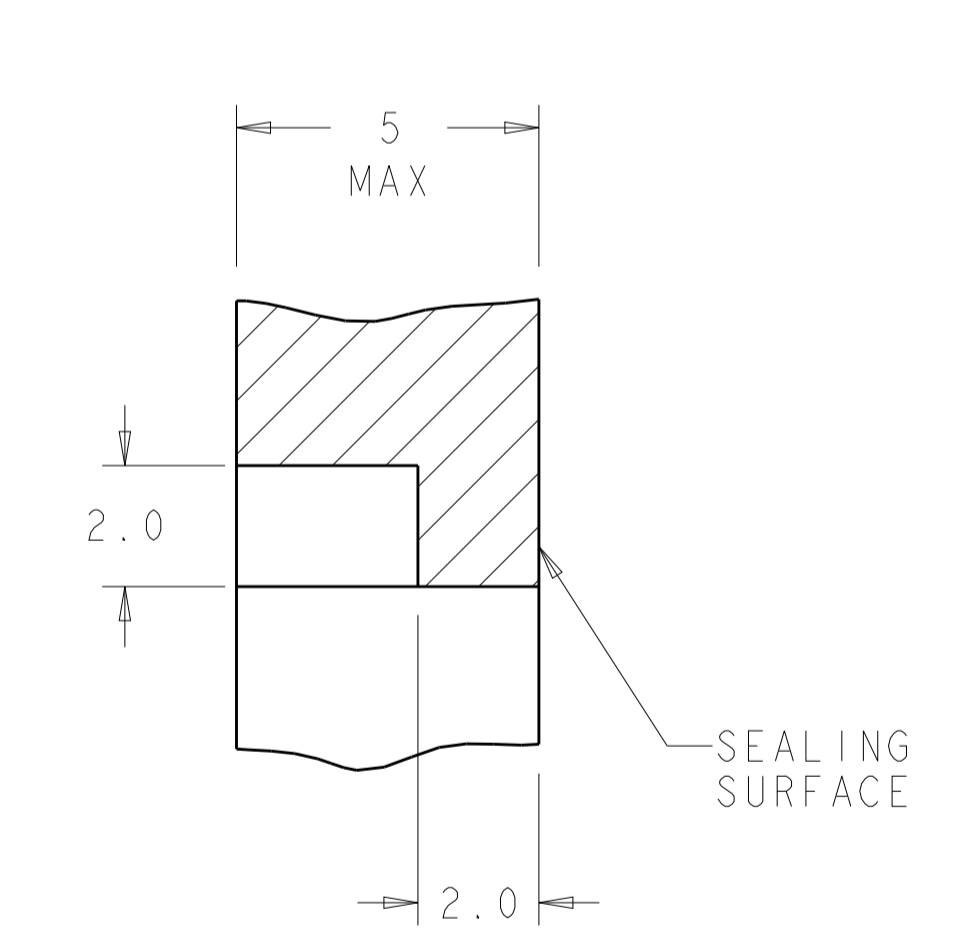
LOC		DIST		REVISIONS			
P	LTN	DESCRIPTION	DATE	DMN	APVD		
-	-	SEE SHEET 1	-	-	-		



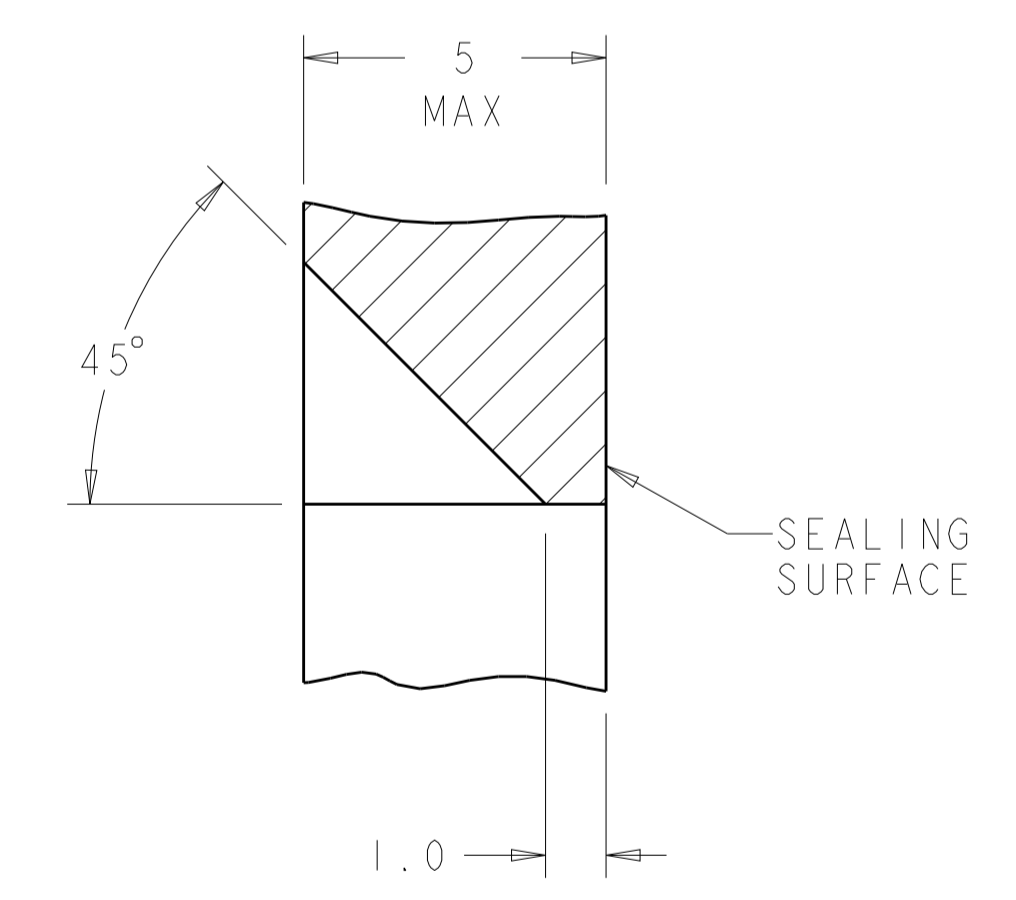
RECOMMENDED MOUNTING HOLE LAYOUT FOR 5.0 MAX THICK PANEL



RECOMMENDED P.C. BOARD LAYOUT FOR 1.57 THICK P.C. BOARD



SECTION Z-Z
 OPTIONAL CONSTRUCTION IF THICKNESS IS GREATER THAN 2.0
 SCALE 8:1



SECTION Z-Z
 OPTIONAL CONSTRUCTION IF THICKNESS IS GREATER THAN 2.0
 SCALE 8:1

THIS DRAWING IS A CONTROLLED DOCUMENT.		DMN R. VESTAL 31DEC2002	TE Connectivity
DIMENSIONS: mm		CHK D. CROWE 31DEC2002	
TOLERANCES UNLESS OTHERWISE SPECIFIED:		APVD D. CROWE 31DEC2002	NAME
0 PLC ±	1 PLC ±0.3	PRODUCT SPEC	HEADER ASSEMBLY, 23 POSITION, RIGHT ANGLE, AMPSEAL
2 PLC ±0.13	3 PLC ±	APPLICATION SPEC	SIZE CAGE CODE DRAWING NO RESTRICTED TO
4 PLC ±	ANGLES ±	WEIGHT	A100779C=776087
MATERIAL	FINISH	Customer Drawing	SCALE 4:1 SHEET 2 OF 2 REV E7