

# PSD-S CE-SM SCREW

Connection element with screw connection terminal blocks for base mounting

Data sheet  
7959\_00

© PHOENIX CONTACT - 04/2009



## 1 Description

This connection element is provided as a component of a modular signal tower and facilitates the electrical connection of the signal tower.

According to your requirements, a signal tower may comprise any combination of up to five signal elements. You may use up to five optical signal elements or up to four optical and one audible signal element.

An audible signal element can be used as top element only.

A bayonet locking system establishes the mechanical and electrical connection between the elements.

Mounting elements for base or tube mounting can be used to mount the signal tower.

### Features

- Connection element for the assembly on a mounting surface (base), an outlet box or an angle (see accessories)
- Screw terminal block connection
- Degree of protection: IP65, when mounted



Make sure you always use the latest documentation.

It can be downloaded at <http://www.phoenixcontact.net/download>.



This data sheet is valid for all products listed on the following page:

## Table of contents

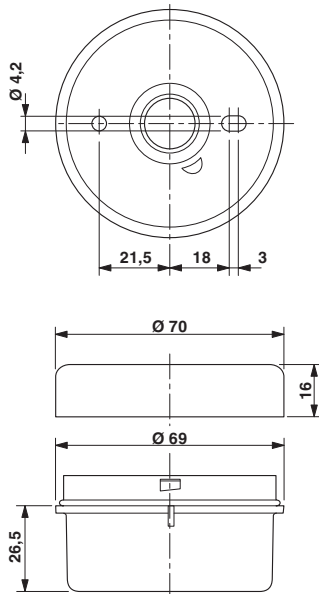
|   |   |
|---|---|
| Description .....                       | 1 |
| Ordering data .....                     | 2 |
| Technical data .....                    | 3 |
| Mounting the connection element .....   | 4 |
| Connecting the cables .....             | 5 |
| Example of a signal tower .....         | 5 |
| Assembly notes for a signal tower ..... | 5 |

## 2 Ordering data

| Description  | Type              | Order No. | Pcs. / Pkt. |
|--|-------------------|-----------|-------------|
| Connection element with screw connection terminal blocks for base mounting | PSD-S CE-SM SCREW | 2700093   | 1           |
| Accessories  | Type              | Order No. | Pcs. / Pkt. |
| Outlet box with lateral cable entry for floor and base mounting            | PSD-S ME OB       | 2700153   | 1           |
| Angle for floor mounting, black  | PSD-S ME BR-SM    | 2700144   | 1           |
| Angle for single-sided floor mounting, concealed cable routing, black      | PSD-S ME BR-SM/1S | 2700160   | 1           |
| Angle for two-sided floor mounting, concealed cable routing, black         | PSD-S ME BR-SM/2S | 2700161   | 1           |

### 3 Technical data

#### Dimensions (in mm)



#### General data

|                                     |  |
|-------------------------------------|--|
| Diameter                            | 69.00 mm                                   |
| Height                              | 27.00 mm                                   |
| Material                            | PA-GF                                      |
| Color                               | black                                      |
| Weight                              | 83 g                                       |
| Ambient temperature (operation)     | -20 °C ... 50 °C                           |
| Degree of protection                | IP65, when mounted                         |
| Mounting position                   | Any  |
| Mounting type                       | Base mounting                              |
| Connection                          | Rubber seal pre-installed for each element |
| Number of mountable signal elements | Max. 5                                     |
| Scope of delivery                   | End cover and seal                         |

**Connection data**

|                    |                  |
|--------------------|------------------|
| Type of connection | Screw connection |
|--------------------|------------------|

|  |  |
|--|--|
| Conductor cross section solid / stranded | 0.75 mm <sup>2</sup> ... 2.5 mm <sup>2</sup> |
|--|--|

|                               |           |
|-------------------------------|-----------|
| Conductor cross section [AWG] | 18 ... 14 |
|-------------------------------|-----------|

**Electrical data**

|               |                            |
|---------------|----------------------------|
| Input voltage | 12 V AC/DC ... 240 V AC/DC |
|---------------|----------------------------|

**Approvals / conformities**

Conformance with EMC guideline 2004/108/EC and for low-voltage guideline 2006/95/EC

For the latest approvals, please visit <http://www.phoenixcontact.net/catalog>.

## 4 Mounting the connection element

Install the connection element directly on a flat mounting surface, on a contact box or an angle. The possible options are indicated in the ordering data under accessories.

For the mounting the connection element, proceed as described in the package slip.

For the connection of cables, proceed as described in the package slip.



Please refer to the package slip for connection options. It is enclosed with the connection element and can be downloaded from the internet at <http://www.phoenixcontact.net/download>.

### 5 Connecting the cables



**ATTENTION**  
When working on the connection element, disconnect the power to the signal tower!

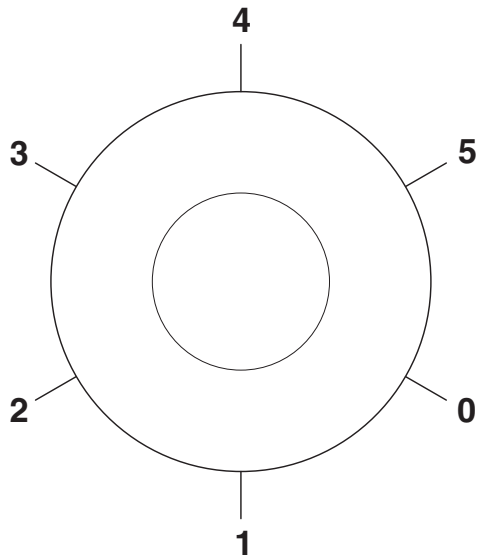


Figure 1 Connections in the connection element

| Connection | Meaning                         |
|------------|---------------------------------|
| 0          | Reference potential (GND, N)    |
| 1          | Control of the signal element 1 |
| 2          | Control of the signal element 2 |
| 3          | Control of the signal element 3 |
| 4          | Control of the signal element 4 |
| 5          | Control of the signal element 5 |



When using the audible elements "siren element, 7 tones..." or "voice output element", several control lines are needed for the audible element, as the case may be. In this case, please note the entries in the corresponding data sheet or in the package slip.

### 6 Example of a signal tower

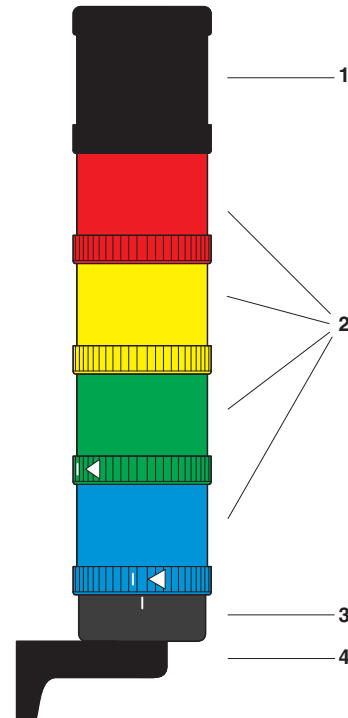


Figure 2 Example of a signal tower

Key:

- 1 Audible signal element
- 2 Optical signal element
- 3 Connection element
- 4 Assembly element

### 7 Assembly notes for a signal tower

- You may use up to five signal elements in a signal tower.
- Use only one audible element in a signal tower and position this element on top.
- When connecting the bayonet locking, please note the markings (see "Assembly of the individual elements" in the data sheets of the signal elements).