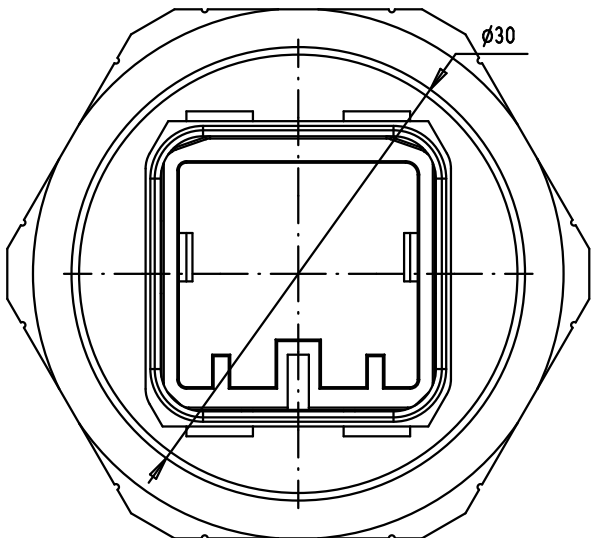
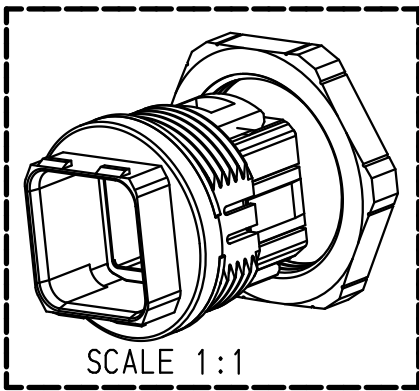
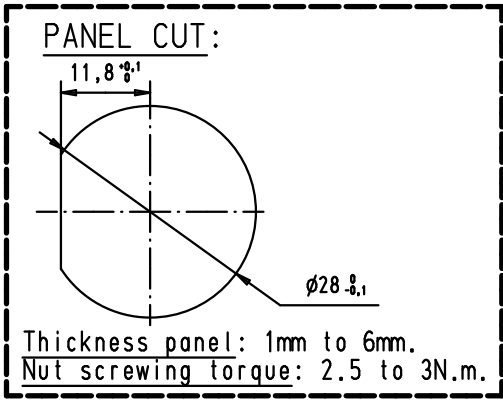


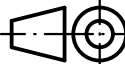

V14 metal circular housing

Ground contact (x2)

HIFF adapter

M28 x1.5 metal nut



			Dot.	Name	 All Dim. in mm Orig. Size DIN A 4
			Detail.	25/01/11 AB	
			Insp.	25/01/11 JMV	
			Stand.		
36316	13/12/11	AB	HARTING EURL F-95972 Paris		
Mod.	Dot.	Name			

HARTING V14 metal panel feed through housing with HIFF adapter

TB 09 35 012 0312

Sub.

Maßstab/
Scale

2:1

Blatt/ Page

1/1